

## Double Flange Resilient Seated Ductile Iron Gate Valve For Water, Sewage and Neutral Liquids

Comply to BS 5163 - Type B

Diameter Range : DN50 - 450

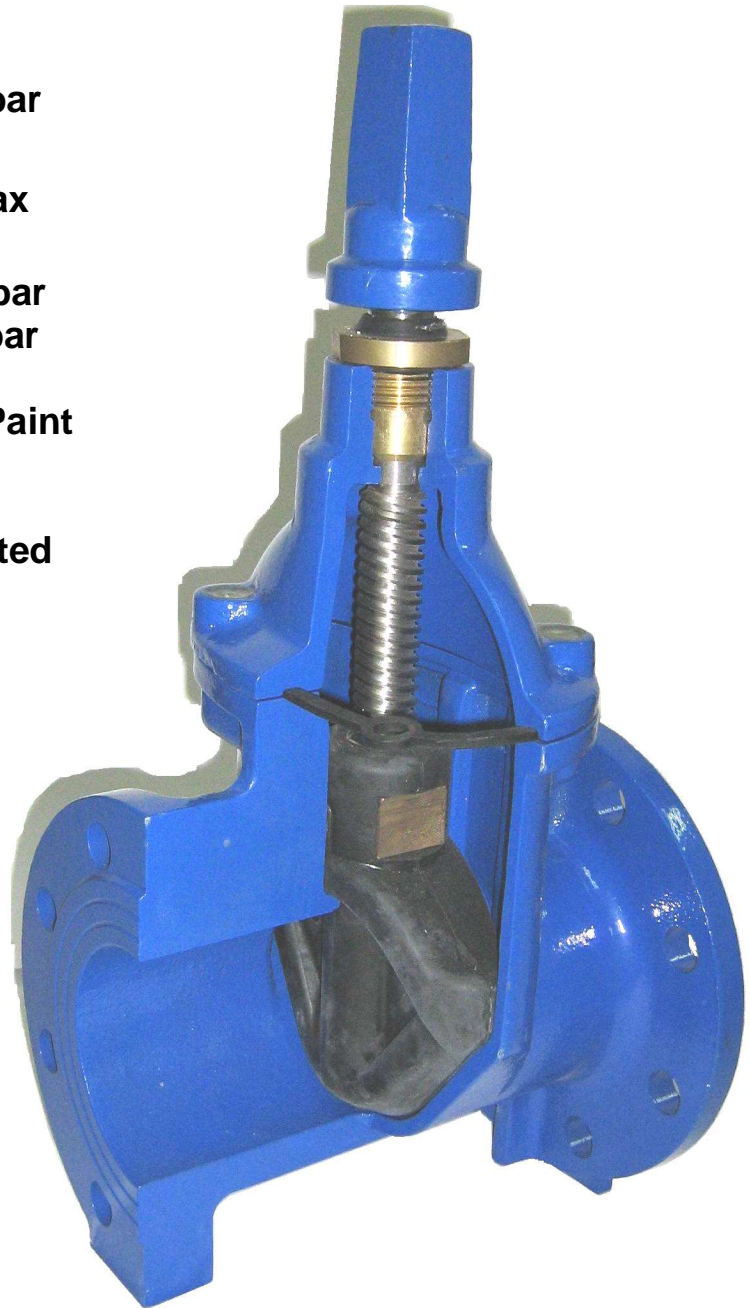
Maximum Working Pressure : 16 bar

Operating Temperature : 70° C Max

Applied Pressure : Shell test - 24 bar  
Seat test - 16 bar

Painting : Fusion Bonded Epoxy Paint  
( Min. 250 microns DFT )

Operation Method : Manual Operated  
CW Closing

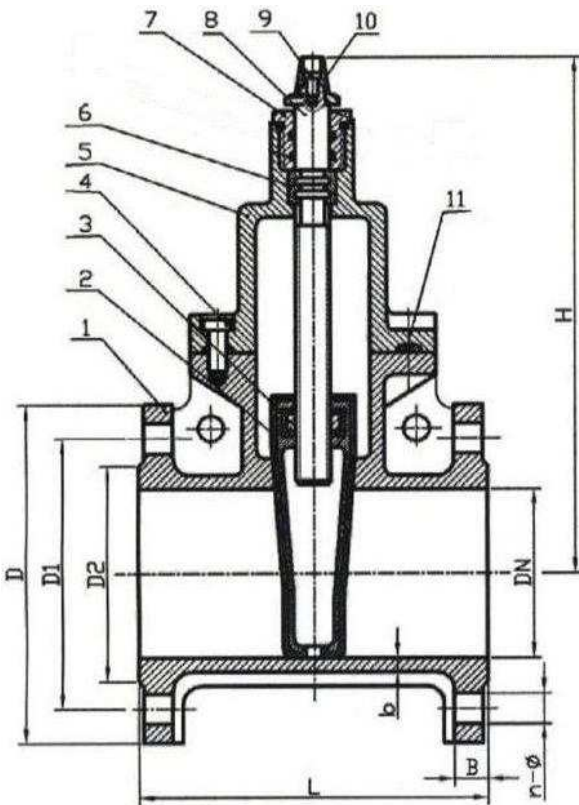


### Approval



### Properties

- No seat on the body
- Changing gate without removing the valve from the line
- Stem seal can be replaced in open position without stopping the line



### DIMENSIONS & WEIGHTS

DN	H	L	D	D1	D2	B	b	n - Ø	Weight (KG)
50	280	178	165	125	99	19	9	4 - Ø19	11.5
65	285	190	185	145	118	19	9	4 - Ø19	14.8
80	325	203	200	160	132	19	9	8 - Ø19	17.5
100	370	229	220	180	156	19	9	8 - Ø19	21.5
150	470	267	285	240	211	19	9	8 - Ø23	43
200	570	292	340	295	266	20	14	12- Ø23	73
250	630	330	405	355	319	22	15	12- Ø28	110
300	750	356	460	410	370	24	16	12- Ø28	164
350	1023	381	520	470	430	28	18	16- Ø28	275
400	1023	406	580	525	480	32	18	16- Ø31	303
450	1038	432	640	585	548	35	20	20- Ø31	418

### SPECIFICATIONS

No	Description	Material	Material Specification
1	Body	Ductile Iron	BS EN 1563 Grade 500/7
2	Resilient Wedge	Ductile Iron Fully Vulcanized with EPDM Rubber	BS 2494 Type W / MS 672: 99
3	Stem Nut	Gunmetal	BS 1400 LG2 / AB1
4	Bonnet Bolt	Stainless Steel	BS 970 Part 1 SS 304
5	Bonnet	Ductile Iron	BS EN 1563 Grade 500/7
6	Cartridge	Gunmetal	BS 1400 LG2 / AB1
7	Gland Nut	Gunmetal	BS 1400 LG2 / AB1
8	Stem	Stainless Steel	BS 970 Part 1 Grade 431/S29
9	Stem Cap Bolt	Stainless Steel	BS 970 Part 1 SS 304
10	Stem Cap	Ductile Iron	BS EN 1563 Grade 500/7
11	Bonnet Gasket	EPDM	BS 2494 Type W / MS 672: 99

### Sales Office :

**TEK VALVE (M) SDN. BHD.** (Company No : 524990-A)  
 PT 22432, Lot Asal 6535, Sungai Puloh, Batu 5 1/2,  
 Jalan Kapar, 42450 Klang, Selangor Darul Ehsan.  
 Tel : (006) 03-3291 3963 Fax : (006) 03-3290 5126  
 E-mail : tekvalve@yahoo.com